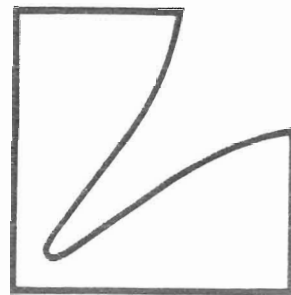
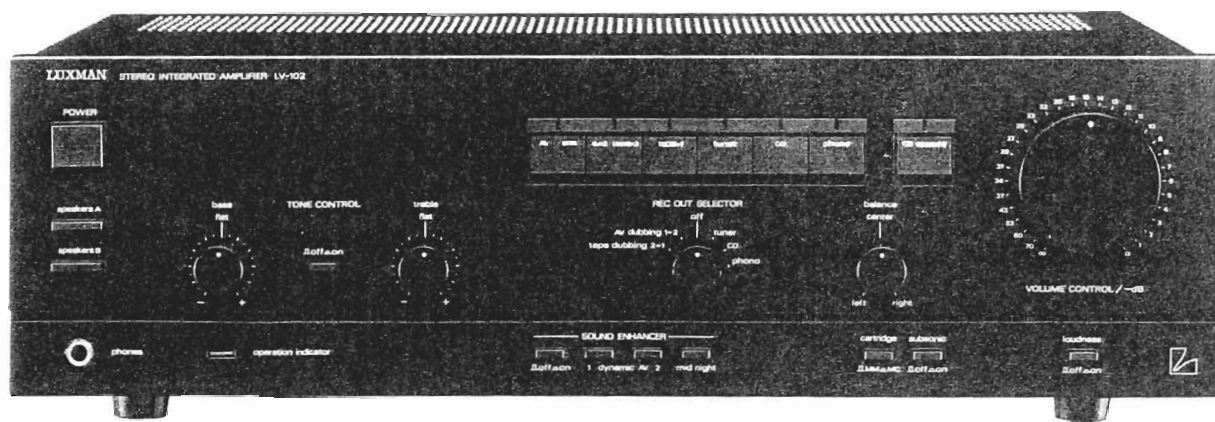


# SERVICE MANUAL

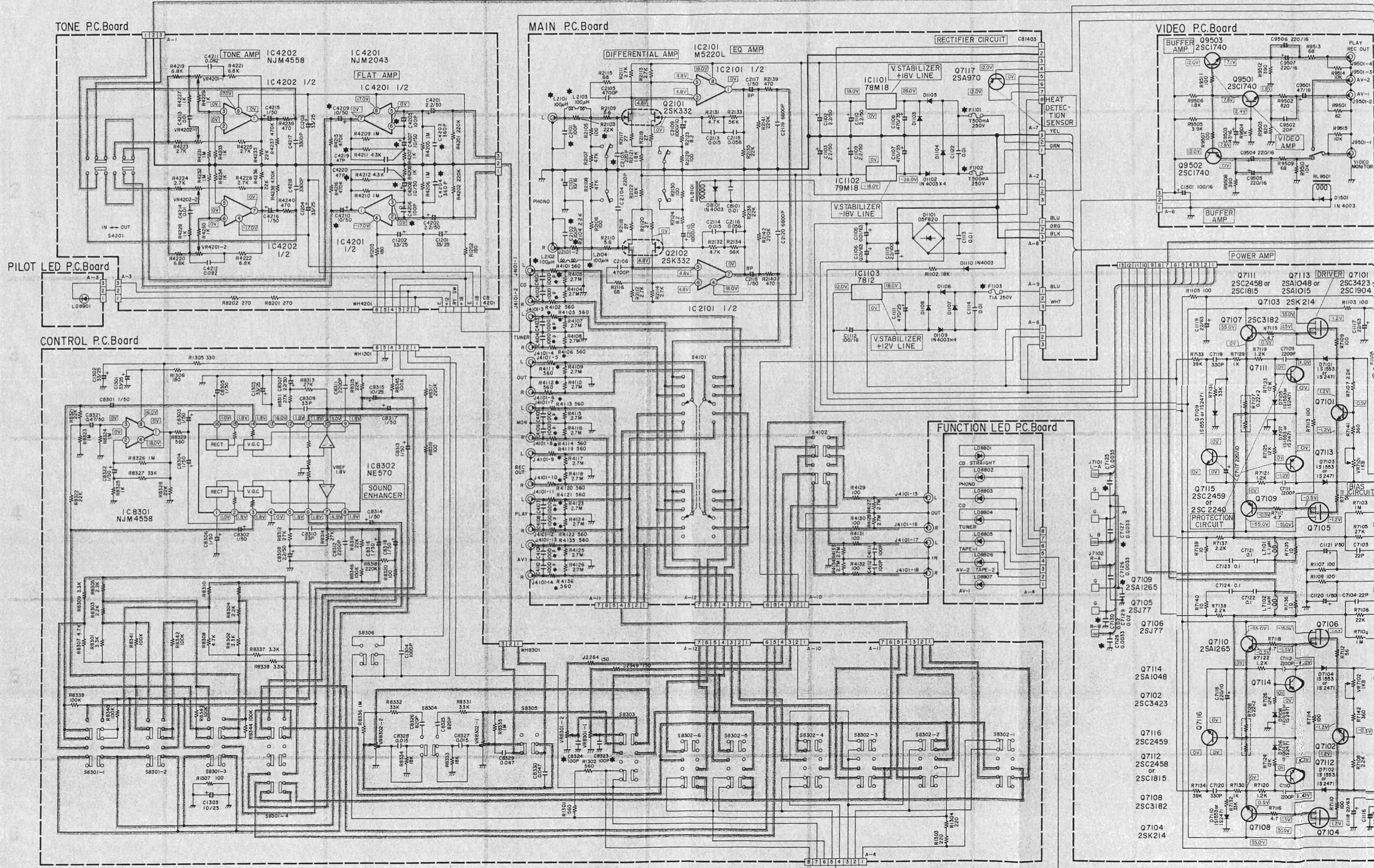


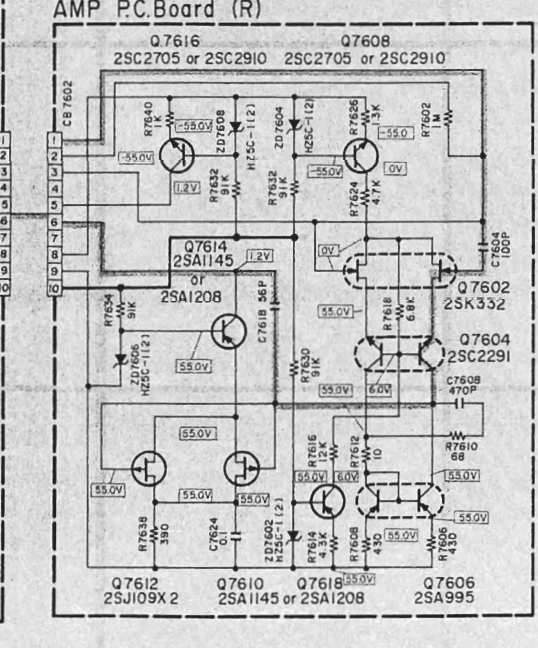
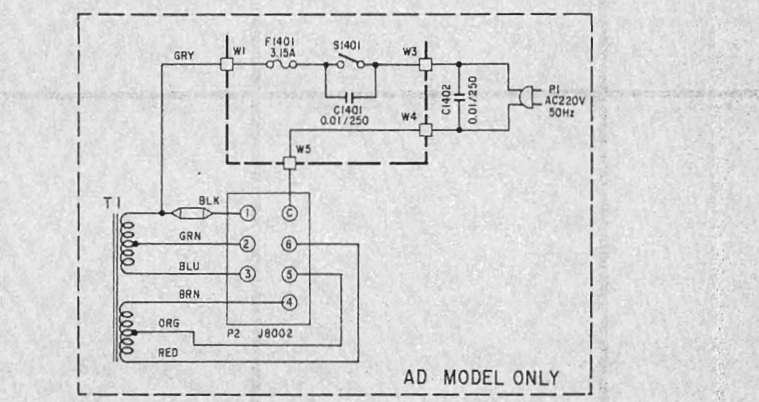
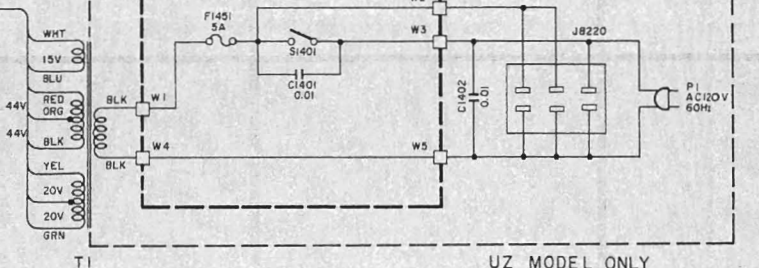
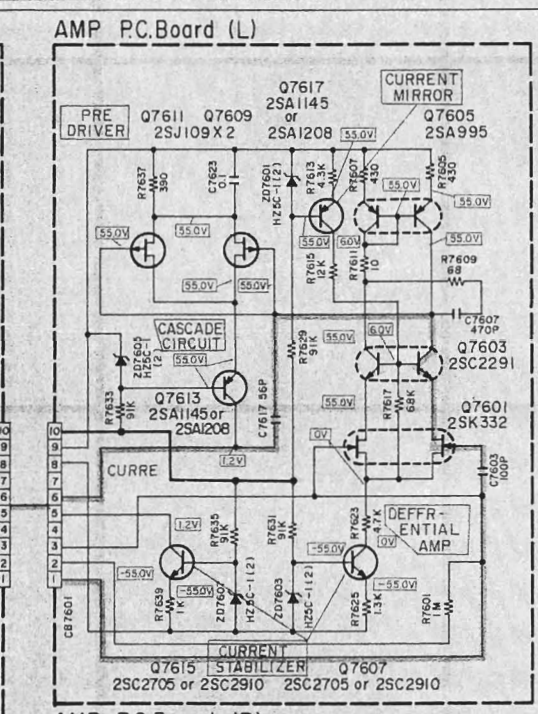
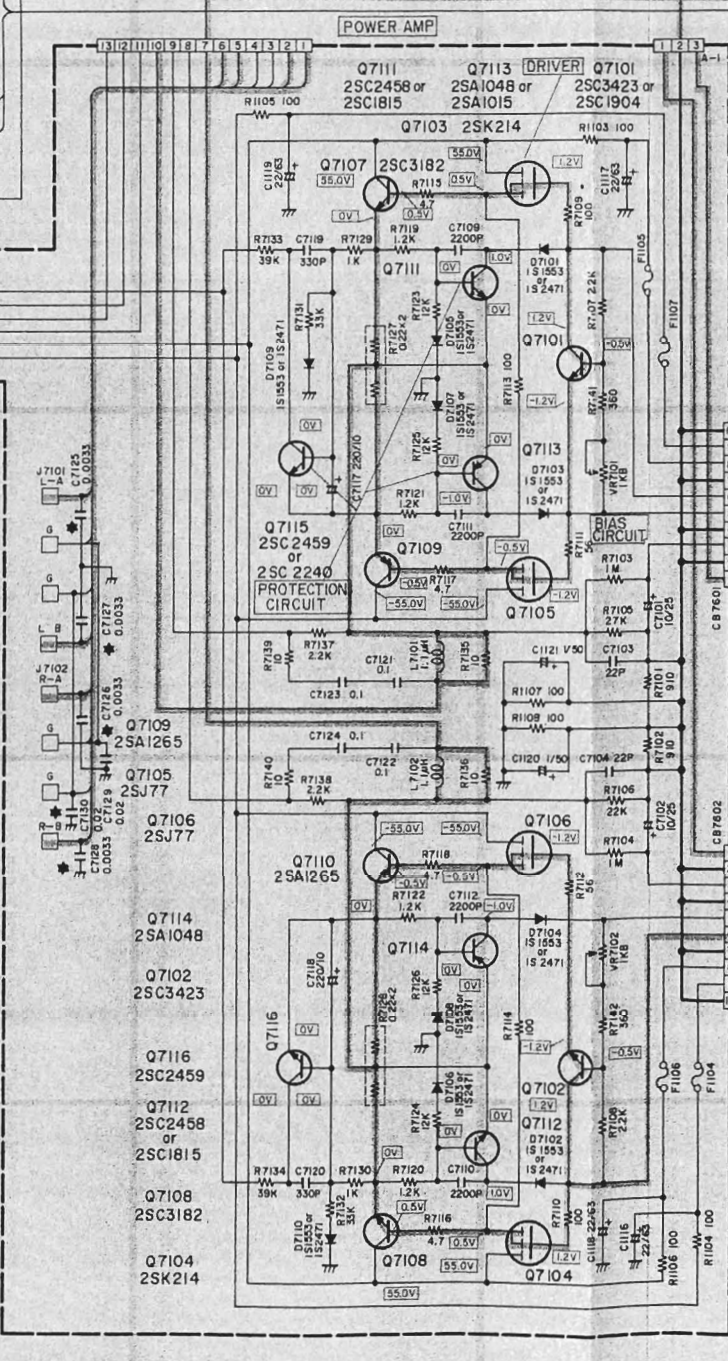
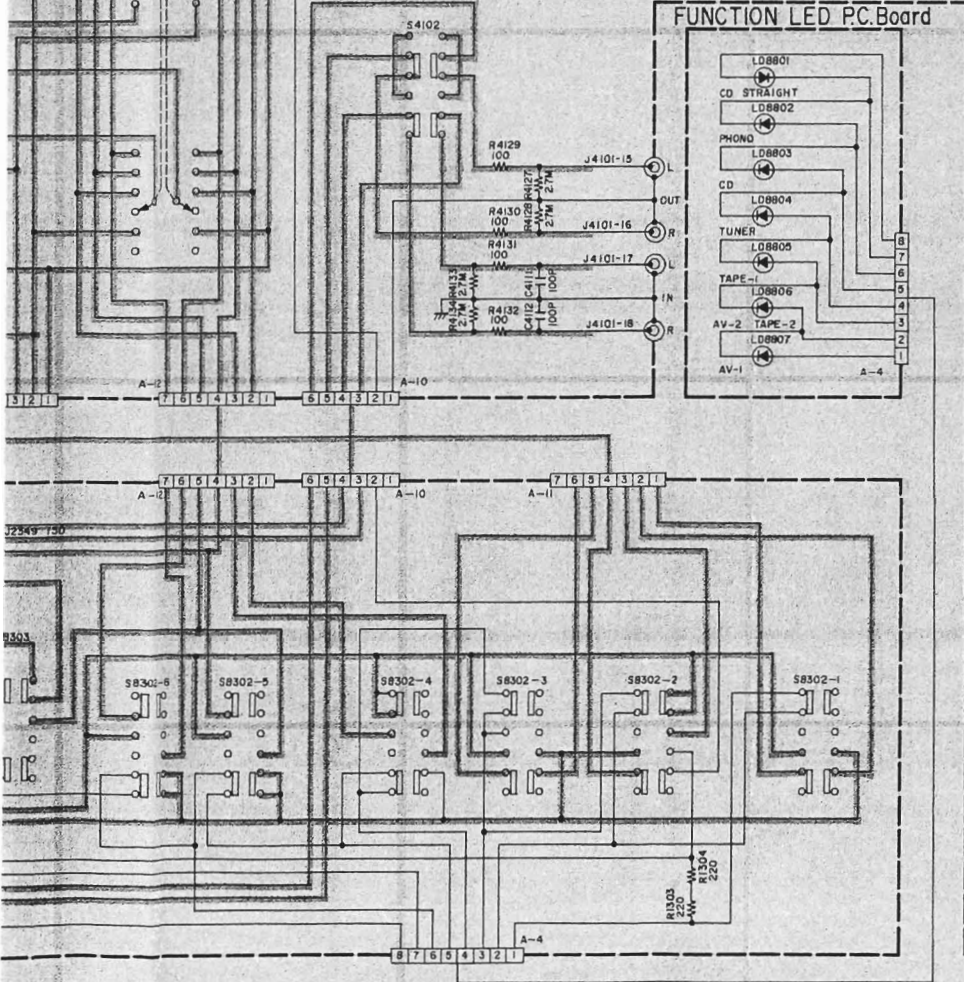
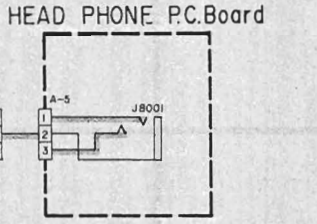
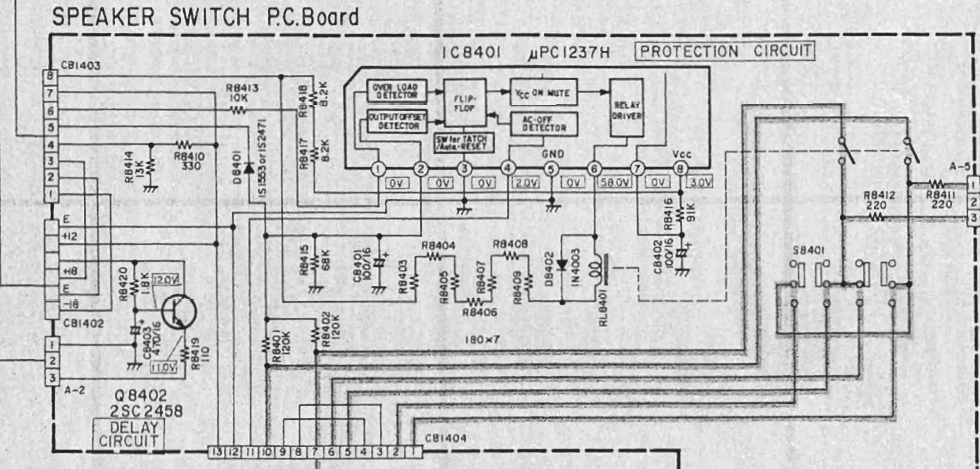
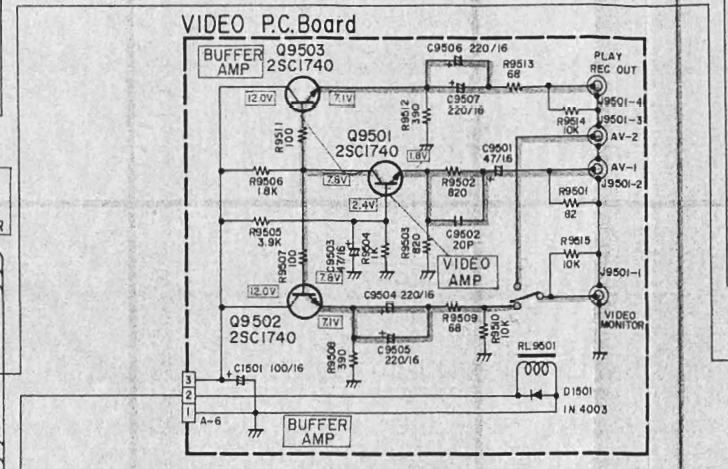
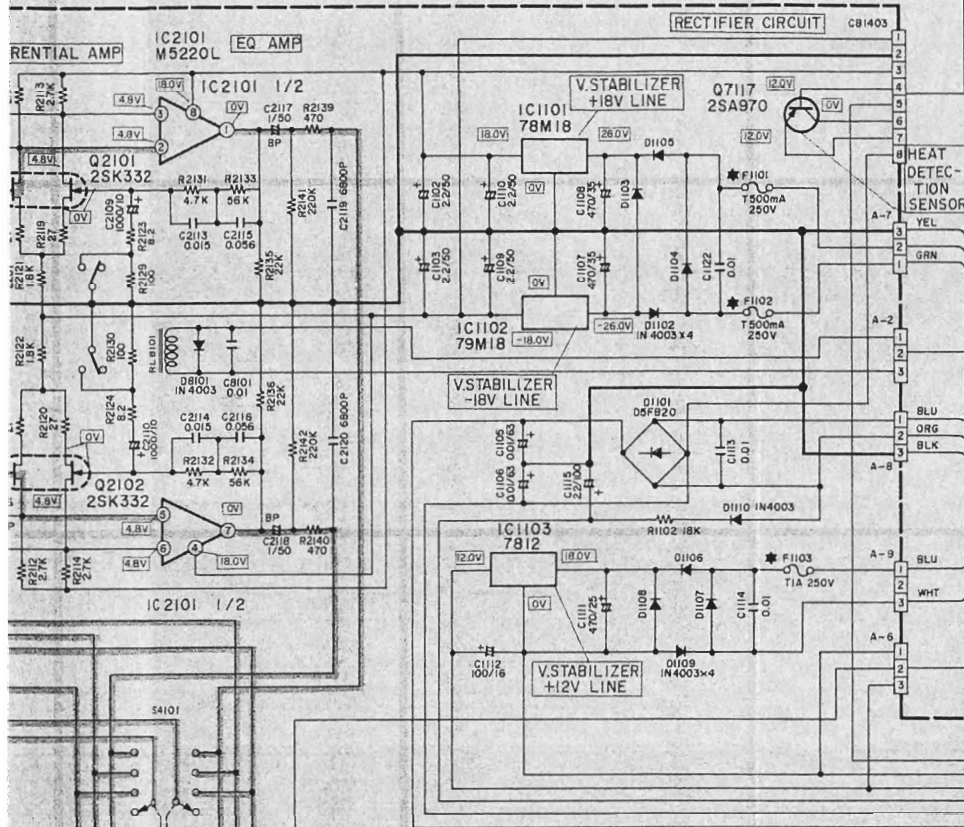
## Stereo Integrated Amplifier **LV-102**

### Temporary



# Schematic Diagram

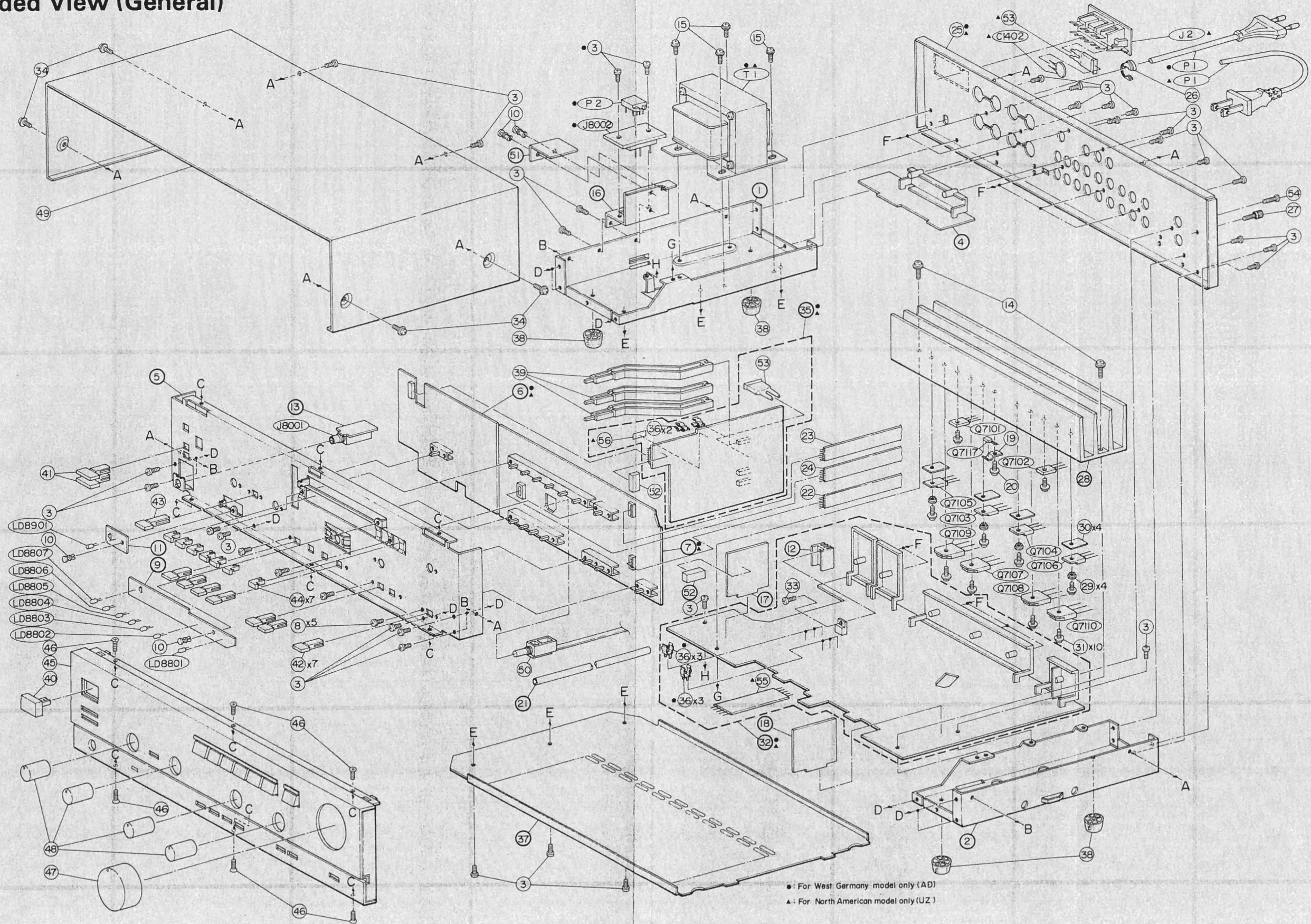




For parts marked \* refer to parts list

- NOTES:**
- All resistance values are in ohms. K = 1,000
  - All capacitance values are in microfarads. P =  $\frac{1}{1,000,000}$

# Exploded View (General)



# Electrical Parts List

Resistors (All resistors are carbon film, 1/4W, ±5% unless otherwise noted.)  
 uF = microfarads, pF = picofarads

Symbol No.	Part No.	Description
<b>Main P.C. Board</b>		
<b>IC's</b>		
IC1101 or IC1102 or IC1103 or	51T72830F01 51T71940F01 51T72829F01 51T71941F01 51T60588F01 51T72601F01	NJM78M18A 78M18 NJM79M18A 79M18 NJM7812 AN7812 (+)
IC2101	51T72167F01	M5220L
<b>Transistors</b>		
Q2101 Q2102 Q7111 or Q7112 or	48T72887F01 48T72887F01 48T61054F01 48S43525F03 48T61054F01 48S43525F03	FET, 2SK332 FET, 2SK332 2SC2458 2SC1815 2SC2458 2SC1815
Q7113 or Q7114 or Q7115 or	48T71759F01 48T51118F02 48T71759F01 48T51118F02 48T71762F01 48T53301F01	2SA1048L 2SA1015 2SA1048L 2SA1015 2SC2459 2SC2240
Q7116 or	48T71762F01 48T53301F01	2SC2459 2SC2240
<b>Diodes</b>		
D1101 D1102 D1103 D1104 D1105	48T67435F01 48S40477U01 48S40477U01 48S40477U01 48S40477U01	D5FB20 IN4003 IN4003 IN4003 IN4003
D1106 D1107 D1108 D1109 D1110	48S40477U01 48S40477U01 48S40477U01 48S40477U01 48S40477U01	IN4003 IN4003 IN4003 IN4003 IN4003

Symbol No.	Part No.	Description
D7101 or D7102 or D7103 or	48T71195F01 48T68764F01 48T71195F01 48T68764F01 48T71195F01 48T68764F01	1S1553 1S2471 1S1553 1S2471 1S1553 1S2471
D7104 or D7105 or D7106 or	48T71195F01 48T68764F01 48T71195F01 48T68764F01 48T71195F01 48T68764F01	1S1553 1S2471 1S1553 1S2471 1S1553 1S2471
D7107 or D7108 or D7109 or	48T71195F01 48T68764F01 48T71195F01 48T68764F01 48T71195F01 48T68764F01	1S1553 1S2471 1S1553 1S2471 1S1553 1S2471
D7110 or D8101	48T71195F01 48T68764F01 48S40477U01	1S1553 1S2471 IN4003
<b>Inductors</b>		
● L2101 ● L2102 ● L2103 ● L2104 L7101 L7102	24T63929F26 24T63929F26 24T63929F26 24T63929F26 24T74614F01 24T74614F01	Coil, 100μH Coil, 100μH Coil, 100μH Coil, 100μH Coil, 1.1μH Coil, 1.1μH
<b>Relay</b>		
RL8101	80T72831F01	G6A-434P-12VDC
<b>Switches</b>		
S4101 S4102	40T61979F03 40T71732F01	Slide SSR266 Slide, 1 Key SSSP

● : For West Germany model only (AD), Others: Common  
 ▲ : For North America model only (UZ).

Symbol No.	Part No.	Description
<b>Jacks</b>		
J2101	09T72605F01	Plate, Pin Jack 2P
J4101	09T72606F01	Plate, Pin Jack 18P
J7101	09T70238F04	Terminal, Speaker T5968L
J7102	09T70238F03	Terminal, Speaker T5968R
<b>Fuses</b>		
● F1101	65T42077U13	Semko T-500mA
● F1102	65T42077U13	Semko T-500mA
● F1103	65T42077U16	Semko, T-1A
<b>Capacitors</b>		
C1101	23S40657F10	Electrolytic 10 uF/16V
C1102	23S40657F29	Electrolytic 2.2 uF/50V
C1103	23S40657F29	Electrolytic 2.2 uF/50V
C1105	23T72607F01	Electrolytic 1000 uF/63V
C1106	23T72607F01	Electrolytic 1000 uF/63V
C1107	23T68328F44	Electrolytic 470 uF/35V
C1108	23T68328F44	Electrolytic 470 uF/35V
C1109	23S40657F29	Electrolytic 2.2 uF/50V
C1110	23S40657F29	Electrolytic 2.2 uF/50V
C1111	23T68328F31	Electrolytic 470 uF/25V
C1112	23S40657F14	Electrolytic 100 uF/16V
C1115	23S40657F46	Electrolytic 2.2 uF/100V
C1116	23S40657F42	Electrolytic 22 uF/63V
C1117	23T68328F68	Electrolytic 22 uF/63V
C1118	23S40657F42	Electrolytic 22 uF/63V
C1119	23T68328F68	Electrolytic 22 uF/63V
C1120	23S40657F28	Electrolytic 1 uF/50V
C1121	23S40657F28	Electrolytic 1 uF/50V
C1123	23S40657F27	Electrolytic 0.47 uF/50V
● C2101	08T61642F16	MIC. 33 pF
▲ C2101	08T52448F81	Polypropylene
● C2102	08T61642F16	MIC. 33 pF
▲ C2102	08T52448F81	Polypropylene
● C2103	21C45322G25	Ceramic 220 pF
● C2104	21C45322G25	Ceramic 220 pF
C2105	08T57851F32	TF 4700 pF
C2106	08T57851F32	TF 4700 pF
C2109	23T68328F07	Electrolytic 1000 uF/10V
C2110	23T68328F07	Electrolytic 1000 uF/10V
C2113	08T57851F03	TF 0.015 uF

Symbol No.	Part No.	Description
C2114	08T57851F03	TF 0.015 uF
C2115	08T57851F10	TF 0.056 uF
C2116	08T57851F10	TF 0.056 uF
C2117	23T42477F16	Electrolytic B.P 1 uF/50V
C2118	23T42477F16	Electrolytic B.P 1 uF/50V
C2119	08T57851F34	TF 6800 pF
C2120	08T57851F34	TF 6800 pF
● C4101	08S40805F07	Ceramic 1000 pF
● C4102	08S40805F07	Ceramic 1000 pF
● C4103	08S40805F07	Ceramic 1000 pF
● C4104	08S40805F07	Ceramic 1000 pF
● C4105	08S40805F07	Ceramic 1000 pF
● C4106	08S40805F07	Ceramic 1000 pF
● C4107	08S40805F07	Ceramic 1000 pF
● C4108	08S40805F07	Ceramic 1000 pF
● C4109	08S40805F07	Ceramic 1000 pF
● C4110	08S40805F07	Ceramic 1000 pF
C4111	08T52448F81	Polypropylene 100 pF
C4112	08T52448F81	Polypropylene 100 pF
C7101	23S40657F17	Electrolytic 10 uF/25V
C7102	23S40657F17	Electrolytic 10 uF/25V
C7103	08T61642F12	MIC. 22 pF
C7104	08T61642F12	MIC. 22 pF
C7109	08T52448F21	Polypropylene 2200 pF
C7110	08T52448F21	Polypropylene 2200 pF
C7111	08T52448F21	Polypropylene 2200 pF
C7112	08T52448F21	Polypropylene 2200 pF
C7117	23S40657F09	Electrolytic 220 uF/10V
C7118	23S40657F09	Electrolytic 220 uF/10V
C7119	08T52448F01	Polypropylene 330 pF
C7120	08T52448F01	Polypropylene 330 pF
C7121	08T57871F13	TF 0.1 uF
C7122	08T57871F13	TF 0.1 uF
C7123	08T57871F13	TF 0.1 uF
C7124	08T57871F13	TF 0.1 uF
● C7125	08S40805F13	Ceramic 3300 pF
● C7126	08S40805F13	Ceramic 3300 pF
C7127	08S40805F13	Ceramic 3300 pF
C7128	08S40805F13	Ceramic 3300 pF
C7129	08S40805F21	Ceramic 0.022 uF
C7130	08S40805F21	Ceramic 0.022 uF
C8101	08S40805F19	Ceramic 0.01 uF

● : For West Germany model only (AD), Others: Common

▲ : For North America model only (UZ).

Symbol No.	Part No.	Description	
<b>Resistors</b>			
R1103	06T73182F41	MO	100 ohm 1/2W
or	06T00003L41	MO	100 ohm 1/2W
or	06T55176F41	Metal Film	100 ohm 1/2W
R1104	06T73182F41	MO	100 ohm 1/2W
or	06T00003L41	MO	100 ohm 1/2W
or	06T55176F41	Metal Film	100 ohm 1/2W
R1105	06T73182F41	MO	100 ohm 1/2W
or	06T00003L41	MO	100 ohm 1/2W
or	06T55176F41	Metal Film	100 ohm 1/2W
R1106	06T73182F41	MO	100 ohm 1/2W
or	06T00003L41	MO	100 ohm 1/2W
or	06T55176F41	Metal Film	100 ohm 1/2W
R7101	06T00013L64	Carbon Film	910 ohm 1/3W
R7102	06T00013L64	Carbon Film	910 ohm 1/3W
R7109	06T69013F41	Fuse	100 ohm 1/4W
R7110	06T69013F41	Fuse	100 ohm 1/4W
R7111	06T69013F35	Fuse	56 ohm 1/4W
R7112	06T69013F35	Fuse	56 ohm 1/4W
R7113	06T73184F41	MO	100 ohm 1W
or	06T00005L41	MO	100 ohm 1W
or	06T55177F41	Metal Film	100 ohm 1W
R7114	06T73184F41	MO	100 ohm 1W
or	06T00005L41	MO	100 ohm 1W
or	06T55177F41	Metal Film	100 ohm 1W
R7115	06T73182F09	MO	4.7 ohm 1/2W
or	06T00003L09	MO	4.7 ohm 1/2W
or	06T55175F09	Metal Film	4.7 ohm 1/2W
R7116	06T73182F09	MO	4.7 ohm 1/2W
or	06T00003L09	MO	4.7 ohm 1/2W
or	06T55175F09	Metal Film	4.7 ohm 1/2W
R7117	06T73182F09	MO	4.7 ohm 1/2W
or	06T00003L09	MO	4.7 ohm 1/2W
or	06T55175F09	Metal Film	4.7 ohm 1/2W
R7118	06T73182F09	MO	4.7 ohm 1/2W
or	06T00003L09	MO	4.7 ohm 1/2W
or	06T55175F09	Metal Film	4.7 ohm 1/2W
R7127	06T67397F01	RW	0.22 ohm 5W
R7128	06T67397F01	RW	0.22 ohm 5W
R7135	06T73182F17	MO	10 ohm 1/2W
or	06T00003L17	MO	10 ohm 1/2W
or	06T55175F17	Metal Film	10 ohm 1/2W
R7136	06T73182F17	MO	10 ohm 1/2W
or	06T00003L17	MO	10 ohm 1/2W
or	06T55175F17	Metal Film	10 ohm 1/2W

Symbol No.	Part No.	Description	
R7137	06T73186F73	MO	2200K ohm 2W
or	06T00007L73	MO	2200K ohm 2W
or	06T55179F73	Metal Film	2200K ohm 2W
R7138	06T73186F73	MO	2200K ohm 2W
or	06T00007L73	MO	2200K ohm 2W
or	06T55179F73	Metal Film	2200K ohm 2W
R7139	06T73186F17	MO	10 ohm 2W
or	06T00007L17	MO	10 ohm 2W
or	06T55179F17	Metal Film	10 ohm 2W
R7140	06T73186F17	MO	10 ohm 2W
or	06T00007L17	MO	10 ohm 2W
or	06T55179F17	Metal Film	10 ohm 2W
VR7101	18C41732G07	Variable	V102B
VR7102	18C41732G07	Variable	V102B
<b>Tone P.C. Board</b>			
<b>IC's</b>			
IC4201	51T52153F01	NJM2043D-D	
IC4202	51T65380F01	BA4558	
or	51S43471U02	μPC4558C	
<b>Switch</b>			
S4201	40T71731F01	Push, 1 Key	
<b>Capacitors</b>			
C1201	23T61512F16	Electrolytic	33 uF/25V
C1202	23T61512F16	Electrolytic	33 uF/25V
C1203	23T61512F16	Electrolytic	33 uF/25V
C1204	23T61512F16	Electrolytic	33 uF/25V
C4201	23T61512F26	Electrolytic	2.2 uF/50V
C4202	23T61512F26	Electrolytic	2.2 uF/50V
● C4203	08T52448F02	Polypropylene 360 pF	
▲ C4203	08T52448F81	Polypropylene 100 pF	
● C4204	08T52448F02	Polypropylene 360 pF	
▲ C4204	08T52448F81	Polypropylene 100 pF	

● : For West Germany model only (AD), Others: Common  
▲ : For North America model only (UZ).

Symbol No.	Part No.	Description
● C4205	08T52448F81	Polypropylene 100 pF
● C4206	08T52448F81	Polypropylene 100 pF
● C4207	23T61512F29	Electrolytic 10 uF/50V
▲ C4207	23T61512F11	Electrolytic 47 uF/16V
● C4208	23T61512F29	Electrolytic 10 uF/50V
▲ C4208	23T61512F11	Electrolytic 47 uF/16V
C4209	23T61512F29	Electrolytic 10 uF/50V
C4210	23T61512F29	Electrolytic 10 uF/50V
C4211	08T57851F12	TF 0.082 uF
C4212	08T57851F12	TF 0.082 uF
C4213	08T57851F01	TF 0.01 uF
C4214	08T57851F01	TF 0.01 uF
C4215	23T61512F25	Electrolytic 1 uF/50V
C4216	23T61512F25	Electrolytic 1 uF/50V
C4217	08T57851F30	TF 3300 pF
C4218	08T57851F30	TF 3300 pF
● C4219	08T61642F20	MIC. 47 pF
● C4220	08T61642F20	MIC. 47 pF
<b>Resistors</b>		
VR4201	18T71725F01	Variable 20K ohm-B x 2
VR4202	18T71725F01	Variable 20K ohm-B x 2
<b>Amp. P.C. Board (L ch)</b>		
<b>Transistors</b>		
Q7601	48T72887F01	FET, 2SK332
Q7603	48T72598F01	2SC2291
Q7605	48T72597F01	2SA955
Q7607	48T72889F01	2SC2910
or	48T60752F01	2SC2705
Q7609	48T71752F01	FET, 2SJ109
or	48T71755F01	FET, 2SJ108
Q7611	48T71752F01	FET, 2SJ109
or	48T71755F01	FET, 2SJ108
Q7613	48T72888F01	2SA1208
or	48T60751F01	2SA1145
Q7615	48T72889F01	2SC2910
or	48T60752F01	2SC2705
Q7617	48T72888F01	2SA1208
or	48T60751F01	2SA1145

Symbol No.	Part No.	Description
<b>Diodes</b>		
ZD7601	48T52739F31	Zener, HZ5C-1
or	48T52739F32	Zener, HZ5C-2
ZD7603	48T52739F31	Zener, HZ5C-1
or	48T52739F32	Zener, HZ5C-2
ZD7605	48T52739F31	Zener, HZ5C-1
or	48T52739F32	Zener, HZ5C-2
ZD7607	48T52739F31	Zener, HZ5C-1
or	48T52739F32	Zener, HZ5C-2
<b>Capacitors</b>		
C7603	08T52448F81	Polypropylene 100 pF
C7607	08T52448F05	Polypropylene 470 pF
C7617	08T61642F22	Mica 56 pF
C7623	08T57851F13	TF 0.1 uF
<b>Amp. P.C. Board (R ch)</b>		
<b>Transistors</b>		
Q7602	48T72887F01	FET, 2SK332
Q7604	48T72598F01	2SC2291
Q7606	48T72597F01	2SA955
Q7608	48T72889F01	2SC2910
or	48T60752F01	2SC2705
Q7610	48T71752F01	FET, 2SJ109
or	48T71755F01	FET, 2SJ108
Q7612	48T71752F01	FET, 2SJ109
or	48T71755F01	FET, 2SJ108
Q7614	48T72888F01	2SA1208
or	48T60751F01	2SA1145
Q7616	48T72889F01	2SC2910
or	48T60752F01	2SC2705
Q7618	48T72888F01	2SA1208
or	48T60751F01	2SA1145

- : For West Germany model only (AD), Others: Common  
▲ : For North America model only (UZ).



Symbol No.	Part No.	Description
<b>Diodes</b>		
ZD7602 or ZD7604 or ZD7606 or ZD7608 or	48T52739F31 48T52739F32 48T52739F31 48T52739F32 48T52739F31 48T52739F32 48T52739F31 48T52739F32	Zener, HZ5C-1 Zener, HZ5C-2 Zener, HZ5C-1 Zener, HZ5C-2 Zener, HZ5C-1 Zener, HZ5C-2 Zener, HZ5C-1 Zener, HZ5C-2
<b>Capacitors</b>		
C7604 C7608 C7618 C7624	08T52448F81 08T52448F05 08T61642F22 08T57851F13	Polypropylene 100 pF Polypropylene 470 pF Mica 56 pF TF 0.1 uF
<b>Resistor</b>		
R7604	06T00013L61	Carbon Film 680 ohm 1/3W
<b>Control P.C. Board</b>		
<b>IC's</b>		
IC8301 or IC8302	51T65380F01 51S43471U02 51T72599F01	BA4558 $\mu$ PC4558C NE570N
<b>Switches</b>		
S8301 S8302 S8303 S8304 S8305	40T72464F01 40T72466F01 40T72465F01 40T72462F01 40T72463F01	Push, 4 Key Push, 6 Key Push, 1 Key Push, 1 Key Push, 2 Key
<b>Capacitors</b>		
C1301 C1302 C1303 C1304 C1305	23T61512F16 23T61512F16 23T61512F16 08S44505P49 23T61512F14	Electrolytic 33 uF/25V Electrolytic 33 uF/25V Electrolytic 33 uF/25V Ceramic 1000 pF Electrolytic 10 uF/25V

Symbol No.	Part No.	Description
C8301 C8302 C8303 C8304 C8305	23T61512F25 23T61512F25 23T61512F25 23T61512F25 23T61512F25	Electrolytic 1 uF/50V Electrolytic 1 uF/50V Electrolytic 1 uF/50V Electrolytic 1 uF/50V Electrolytic 1 uF/50V
C8306 C8307 C8308 C8309 C8310	23T61512F25 23T61512F26 23T61512F26 08S44505P25 08S44505P25	Electrolytic 1 uF/50V Electrolytic 2.2 uF/50V Electrolytic 2.2 uF/50V Ceramic 33 pF Ceramic 33 pF
C8311 C8312 C8313 C8314 C8315	08S44505P53 08S44505P53 23T61512F25 23T61512F25 23T61512F14	Ceramic 2200 pF Ceramic 2200 pF Electrolytic 1 uF/50V Electrolytic 1 uF/50V Electrolytic 10 uF/25V
C8316 C8317 C8318 C8321 C8322	23T61512F25 23T61512F25 23T61512F14 23T61512F24 23T61512F25	Electrolytic 1 uF/50V Electrolytic 1 uF/50V Electrolytic 10 uF/25V Electrolytic 0.47 uF/50V Electrolytic 1 uF/50V
● C8323 ● C8324 C8325 C8326 C8327	08S44505P37 08S44505P37 08T52448F11 08T52448F11 08T57851F03	Ceramic 100 pF Ceramic 100 pF Polypropylene 820 pF Polypropylene 820 pF TF 0.015 uF
C8328 C8329 C8330	08T57851F03 08T57851F09 08T57851F09	TF 0.015 uF TF 0.047 uF TF 0.047 uF
<b>Resistors</b>		
VR8301 VR8302	18T71728F01 18T71727F01	Variable 250K ohm Variable 100K ohm-B x 2

- : For West Germany model only (AD), Others: Common  
▲ : For North America model only (UZ).

Symbol No.	Part No.	Description	
<b>Speaker Switch P.C. Board</b>			
<b>IC</b>			
IC8401	51T60527F01	$\mu$ PC1237H	
<b>Transistors</b>			
Q8402 or	48T61054F01 48S43525F03	2SC2458 2SC1815	
<b>Diodes</b>			
D8401 or D8402	48T71195F01 48T68764F01 48S40477U01	1S1553 1S2471 IN4003	
<b>Relay</b>			
RL8401	80T70844F02	G5R-2232P 24V	
<b>Switches</b>			
S1401 S8401	40T70311F01 40T71729F01	Power SDLB1P Push, 2 Key SPUN	
<b>Fuse</b>			
● F1401	65T42077U21	Semko, T3.15A	
<b>Capacitors</b>			
● C1401	08T57437F09	Ceramic	0.01 $\mu$ F
● C1402	08T57437F09	Ceramic	0.01 $\mu$ F
C8401	23S40657F14	Electrolytic	100 $\mu$ F/16V
C8402	23S40657F14	Electrolytic	100 $\mu$ F/16V
C8403	23T68328F19	Electrolytic	470 $\mu$ F/16V
<b>Resistors</b>			
R8411 or or R8412 or or	06T00007L49 06T73186F49 06T55179F49 06T00007L49 06T73186F49 06T55179F49	MO MO Metal Film MO MO Metal Film	220 ohm 2W 220 ohm 2W 220 ohm 2W 220 ohm 2W 220 ohm 2W 220 ohm 2W

- : For West Germany model only (AD), Others: Common  
▲ : For North America model only (UZ).

Symbol No.	Part No.	Description	
<b>Video P.C. Board</b>			
<b>Transistors</b>			
Q9501 Q9502 Q9503	48T55181F01 48T55181F01 48T55181F01	2SC1740 2SC1740 2SC1740	
<b>Diode</b>			
D1501	48S40477U01	IN4003	
<b>Relay</b>			
RL9501	80B42571P03	(F2E) 12V	
<b>Jack</b>			
J9501	09T72603F01	Plate, Pin 4P	
<b>Capacitors</b>			
C1501	23S40657F14	Electrolytic	100 $\mu$ F/16V
C9501	23S40657F13	Electrolytic	47 $\mu$ F/16V
C9502	08S44505P20	Ceramic	20 pF
C9503	23S40657F13	Electrolytic	47 $\mu$ F/16V
C9504	23S41198U41	Electrolytic	220 $\mu$ F/16V
C9505	23S41198U41	Electrolytic	220 $\mu$ F/16V
C9506	23S41198U41	Electrolytic	220 $\mu$ F/16V
C9507	23S41198U41	Electrolytic	220 $\mu$ F/16V
<b>Miscellaneous</b>			
▲ C1402	08T57437F09	Capacitor, Ceramic 0.01=F	
▲ J2	09T68841F02	Outlet, AC (3P-U)	
J8001	09T66672F01	Jack, Head Phone	
● J8002	09T51831F01	Socket, Switch	
LD8801	48T66616F02	LED, SLD-54VR3 (RED)	
LD8802	48T60487F01	LED, SLD-54G3 (GRN)	
LD8803	48T60487F01	LED, SLD-54G3 (GRN)	
LD8804	48T60487F01	LED, SLD-54G3 (GRN)	
LD8805	48T60487F01	LED, SLD-54G3 (GRN)	
LD8806	48T60487F01	LED, SLD-54G3 (GRN)	
LD8807	48T60487F01	LED, SLD-54G3 (GRN)	

Symbol No.	Part No.	Description	Symbol No.	Part No.	Description
LD8901	40T60488F01	LED, SLR-54DU3 (ORG)			
● P1	28T43812P04	Plug, Cord			
▲ P1	28T55335F02	Plug, Cord			
P2	09T51830F01	Plug, Switch			
Q7101	48T64376F01	Transistor, 2SC3423			
or	48T56658F01	Transistor, 2SC1904			
Q7102	48T64376F01	Transistor, 2SC3423			
or	48T56658F01	Transistor, 2SC1904			
Q7103	48T71778F01	FET, 2SK214			
Q7104	48T71778F01	FET, 2SK214			
Q7105	48T71779F01	FET, 2SJ77			
Q7106	48T71779F01	FET, 2SJ77			
Q7107	48T58609F01	Transistor, 2SC3182			
Q7108	48T58609F01	Transistor, 2SC3182			
Q7109	48T58610F01	Transistor, 2SA1265			
Q7110	48T58610F01	Transistor, 2SA1265			
Q7117	48T52545F01	Transistor, 2SA970			
● T1	25T74417F01	Trans, Power			
▲ T1	25T74275F01	Trans, Power			

● : For West Germany model only (AD), Others: Common

▲ : For North America model only (UZ).

## Cabinet Assembly Parts List

Symbol No.	Index	Part No.	Description
3		03S71031F04	Screw, Bind (M3 x 8)
8		03D40014G04	Screw, Pan (M3 x 6)
10		05B41635J02	Rivet, Push
14		03S40018G06	Screw, Tapping (M3 x 16)
15		03S40036U12	Screw, Pan (M4 x 6)
19		07R51146F01	Support, Transistor
20		03C40121T17	Screw, Pan (M3 x 8)
22		01T72893F03	SMSJ, Shield
23		01T72893F04	SMSJ, Shield
24		01T72893F06	SMSJ, Shield
● 25		15C72655F03	Cover, Rear
▲ 25		15C72655F05	Cover, Rear
26		43B41625J02	Support, Cord
27		29T66964F01	Terminal, GND
29		43T45472F01	Bushing, YC40B
30		14S56709F01	Insulator, Transistor
31		03C40121T13	Screw, Pan (M5 x 15)
33		03S43997P76	Screw, Bind (M3 x 6)
34		03S40036U01	Screw, Pan (M4 x 8)
● 36		09T15410F01	Holder, Fuse
▲ 36		09T51960F01	Holder, Fuse
38		75A66855F01	Pad, Trannleg
39		45B57186F01	Lever, Knob
40		36A67330F01	Knob, Power
41		36A67331F01	Knob, Push (SP)
42		36A67333F01	Knob, Push
43		36A72661F01	Knob, Push Tone
44		43A67342F01	Spacer, Switch
45		01V74400F07	Assembly, Front Panel
46		03S40012G98	Screw, Tapping (M3 x 8)
47		36B67336F01	Knob, Main Volume
48		36A67337F01	Knob, Tone Volume
49		15D72658F01	Cover, Top
50		40T72460F01	Switch, Rotary
53		43T53136F01	Bush, Cap
54		03S40012G99	Screw, Tapping (M3 x 10)
▲ 55		01T72893F01	SMSJ, Shield
▲ 56		54B62266F10	Label, Fuse (5A-125V)

Symbol No.	Index	Part No.	Description

● : For West Germany model only (AD), Others: Common  
 ▲ : For North America model only (UZ).

## Packing Assembly Parts List

Symbol No.	Part No.	Description
101	56B40990T23	Sack, Polyethylene
102	56D72673F01	Tray, Packing
103	56D72673F02	Tray, Packing
104	56S71001F57	Carton, Packing
● 105	68P73333F74	Owner's Manual
▲ 105	68P73333F80	Owner's Manual

Symbol No.	Part No.	Description
------------	----------	-------------

- : For West Germany model only (AD), Others: Common  
 ▲ : For North America model only (UZ).

## Parts List by Specific Countries

• : For West Germany model only (AD), Others: Common  
▲ : For North America model only (UZ).

Symbol No.	Description	POWER SOURCE	
		UZ (▲) 120V	AD (•) 220V
		North America	West Germany
C2101	Capacitor	08T52448F81	08T61642F16
C2102	Capacitor	08T52448F81	08T61642F16
C2103	Capacitor	Not Used	21C45322G25
C2104	Capacitor	Not Used	21C45322G25
C4101	Capacitor	Not Used	08S40805F07
C4102	Capacitor	Not Used	08S40805F07
C4103	Capacitor	Not Used	08S40805F07
C4104	Capacitor	Not Used	08S40805F07
C4105	Capacitor	Not Used	08S40805F07
C4106	Capacitor	Not Used	08S40805F07
C4107	Capacitor	Not Used	08S40805F07
C4108	Capacitor	Not Used	08S40805F07
C4109	Capacitor	Not Used	08S40805F07
C4110	Capacitor	Not Used	08S40805F07
C4203	Capacitor	08T52448F81	08T52448F02
C4204	Capacitor	08T52448F81	08T52448F02
C4205	Capacitor	Not Used	08T52448F81
C4206	Capacitor	Not Used	08T52448F81
C4207	Capacitor	23T61512F11	23T61512F29
C4208	Capacitor	23T61512F11	23T61512F29
C4219	Capacitor	Not Used	08T61642F20
C4220	Capacitor	Not Used	08T61642F20
C7125	Capacitor	Not Used	08S40805F13
C7126	Capacitor	Not Used	08S40805F13
C8323	Capacitor	Not Used	08S44505P37
C8324	Capacitor	Not Used	08S44505P37
F1401	Fuse	65T42486F12	65T42077U21
F1101	Fuse	Not Used	65T42077U13
F1102	Fuse	Not Used	65T42077U13
F1103	Fuse	Not Used	65T42077U16
J2	Outlet, AC	09T68841F02	Not Used
J8002	Socket, Switch	Not Used	09T51831F01
L2101	Coil	Not Used	24T63929F26
L2102	Coil	Not Used	24T63929F26
L2103	Coil	Not Used	24T63929F26
L2104	Coil	Not Used	24T63929F26
P1	Plug, Cord	28T55335F02	28T43812F04
P2	Plug, Switch	Not Used	09T51830F01
T1	Trans. Power	25T74275F01	25T74417F01
25	Cover, Rear	15C72655F05	15C72655F03
36	Holder, Fuse	09T51960F01	09T51410F01
55	SMSJ, Shield	01T72893F01	Not Used
56	Label, Fuse	54B62266F10	Not Used
105	Owner's Manual	68P73333F80	68P73333F74